

**563**  
Small articulated

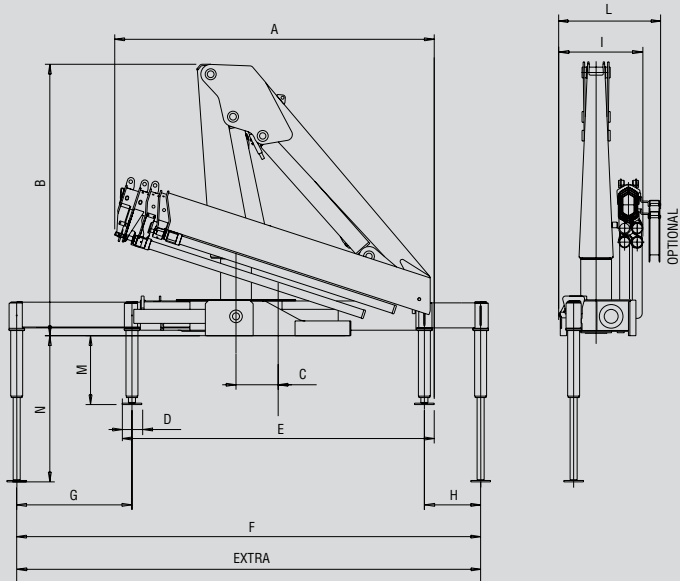


**563**

**Ferrari**

**PASSION FOR LIFTING**

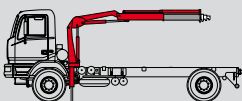
# 563 Technical data



	A1	A2	A3	A4	A3J1
A	2020	2100	2100	2250	2256
B	1980	1980	1980	1980	1980
C	300	300	300	300	300
D	160	160	160	160	160
E	2240	2240	2240	2240	2240
F	3300	3300	3300	3300	3300
G	820	820	820	820	820
H	400	400	400	400	400
I	600	600	600	600	600
L (OPT.)	725	725	725	725	725
M	502	502	502	502	502
N	1052	1052	1052	1052	1052
EXTRA	4430	4430	4430	4430	4430

Model	kg	kg	kg	kg	kg	kg	kg	kg	kg
A1	6580*	2630	1700	1210	875	650			
	1,00	2,50	3,88	5,44	7,10	8,74			
A2	6410*	2565	1610	1130	875	650	490		
	1,00	2,50	3,98	5,55	7,10	8,74	10,40		
A3	6160*	2465	1520	1055	800	650	490	400	
	1,00	2,50	4,05	5,60	7,18	8,74	10,40	12,00	
A4	5970*	2390	1440	980	735	585	490	400	
	1,00	2,50	4,15	5,70	7,30	8,83	10,40	12,00	
A3J1							350	300	220
							10,90	12,20	13,70

\*) Theoretical lifting capacity



Recommended truck:  
G.V.W. ton 7,5

	Lifting Moment	Stewing Angle	Working pressure	Oil tank capacity	Max Oil flow	Max lifting height	Standard crane weight
	tm	°	bar	l	l/min	m	kg
A1	6,58	387	245	35	20	8,34	900
A2	6,41	387	245	35	20	9,81	970
A3	6,16	387	245	35	20	11,34	1030
A4	5,97	387	245	35	20	12,90	1080
A3J1	-	387	245	35	20	14,68	1210

## Standard

- Designed in accordance with EN12999+EN13849
- Design class: HC1-HD4
- Load limiting device (CE)
- High tensile strength steel
- Hexagonal section extensions
- Independent extension cylinders
- Flanged valves
- Oil tank
- Assembly kit included
- Dual-side controls (No with radio remote control)
- Light indicator for correct stabilizer stowing (CE)
- Mechanical rotation limitation (CE)
- Fixed stabilizer cylinders with manual extension
- A CLASS - Crane Control System (CE)
- LED panel - Human Machine Interface (CE)



## Fili FERRARI

Via Einstein, 8  
42028 Poggio (RE) Italy  
Tel. +39 0522/486308  
Fax +39 0522/486330  
info@flliferrari.it  
marketing@flliferrari.it  
www.flliferrari.com



Quality and environmental  
certified

Dealer

Data, descriptions, and illustrations pertain only and uniquely to models sold at the time of printing of this brochure. After the date of printing, this information is purely indicative and not binding upon Fili Ferrari. Future modifications are solely at the discretion of Fili Ferrari and are always in compliance with applicable and pertinent safety standards. To obtain updated data, descriptions, and illustrations, contact the manufacturer or your reseller. Cranes manufactured and/or marketed by Fili Ferrari.