

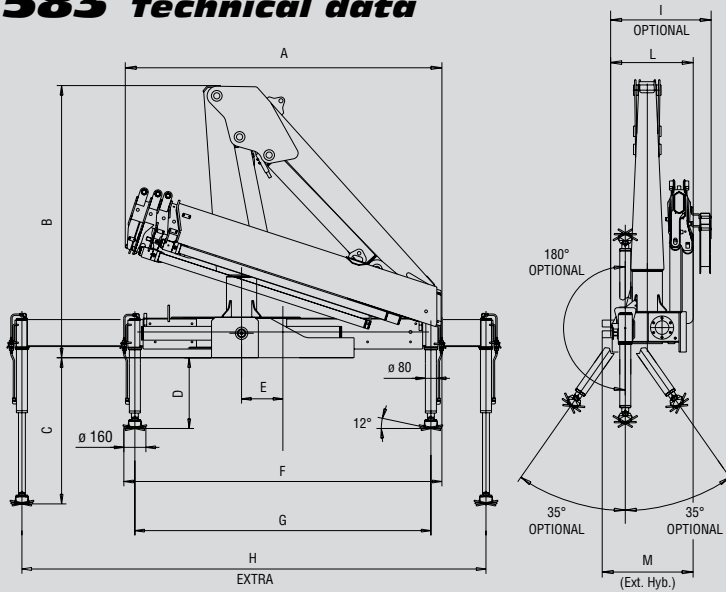
583
Small articulated



583

FERRARI
PASSION FOR LIFTING

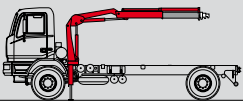
583 Technical data



	A1	A2	A3	A4	A3J2
A	2310	2310	2310	2310	2310
B	1980	1980	1980	1980	1980
C	1060	1060	1060	1060	1060
D	510	510	510	510	510
E	300	300	300	300	300
F	2310	2310	2310	2310	2310
G	2150	2150	2150	2150	2150
H	3370	3370	3370	3370	3370
H (EXTRA)	4600	4600	4600	4600	4600
I	730	730	730	730	730
L	600	600	600	600	600
M	660	660	660	660	660

Model	kg	m	kg	m	kg	m	kg	m	kg	m						
A1	7900*	1,00	3160	2,50	2000	3,95	1420	5,50	1040	7,15	786	8,76				
A2	7690*	1,00	3080	2,50	1920	4,00	1350	5,56	1040	7,15	785	8,76	595	10,45		
A3	7420*	1,00	2970	2,50	1820	4,08	1270	5,65	965	7,20	785	8,76	595	10,45	470	12,05
A4	7190*	1,00	2880	2,50	1720	4,18	1180	5,75	890	7,30	710	8,86	595	10,45	470	12,05
A3J2											410	360	320	240		
											11,00	12,35	13,70	15,10		

*) Theoretical lifting capacity



Recommended truck:
G.V.W. ton 8

	Lifting Moment	Swiveling Angle	Working pressure	Oil tank capacity	Max Oil flow	Max lifting height	Standard crane weight
	tm	°	bar	l	l/min	m	kg
A1	7,9	387	285	35	20	8,50	950
A2	7,69	387	285	35	20	10,20	1030
A3	7,42	387	285	35	20	11,70	1090
A4	7,19	387	285	35	20	13,30	1150
A3J2	-	387	285	35	20	16,60	1300

Standard

- Designed in accordance with EN12999+EN13849
- Design class: HC1-HD4
- Load limiting device (CE)
- High tensile strength steel
- Hexagonal section extensions
- Independent extension cylinders
- Flanged valves
- Oil tank
- Assembly kit included
- Dual-side controls (No with radio remote control)
- Light indicator for correct stabilizer stowing (CE)
- Mechanical rotation limitation (CE)
- Fixed stabilizer cylinders with manual extension
- A CLASS - Crane Control System (CE)
- LED panel - Human Machine Interface (CE)



Fili FERRARI
Via Einstein, 8
42028 Poggio (RE) Italy
Tel. +39 0522/486308
Fax +39 0522/486330
info@flliferrari.it
marketing@flliferrari.it
www.flliferrari.com



Quality and environmental
certified

Dealer

Data, descriptions, and illustrations pertain only and uniquely to models sold at the time of printing of this brochure. After the date of printing, this information is purely indicative and not binding upon Fili Ferrari. Future modifications are solely at the discretion of Fili Ferrari and are always in compliance with applicable and pertinent safety standards. To obtain updated data, descriptions, and illustrations, contact the manufacturer or your reseller. Cranes manufactured and/or marketed by Fili Ferrari.