

**6000**  
*Series*



**6108B**

**6148B**

**6238B**

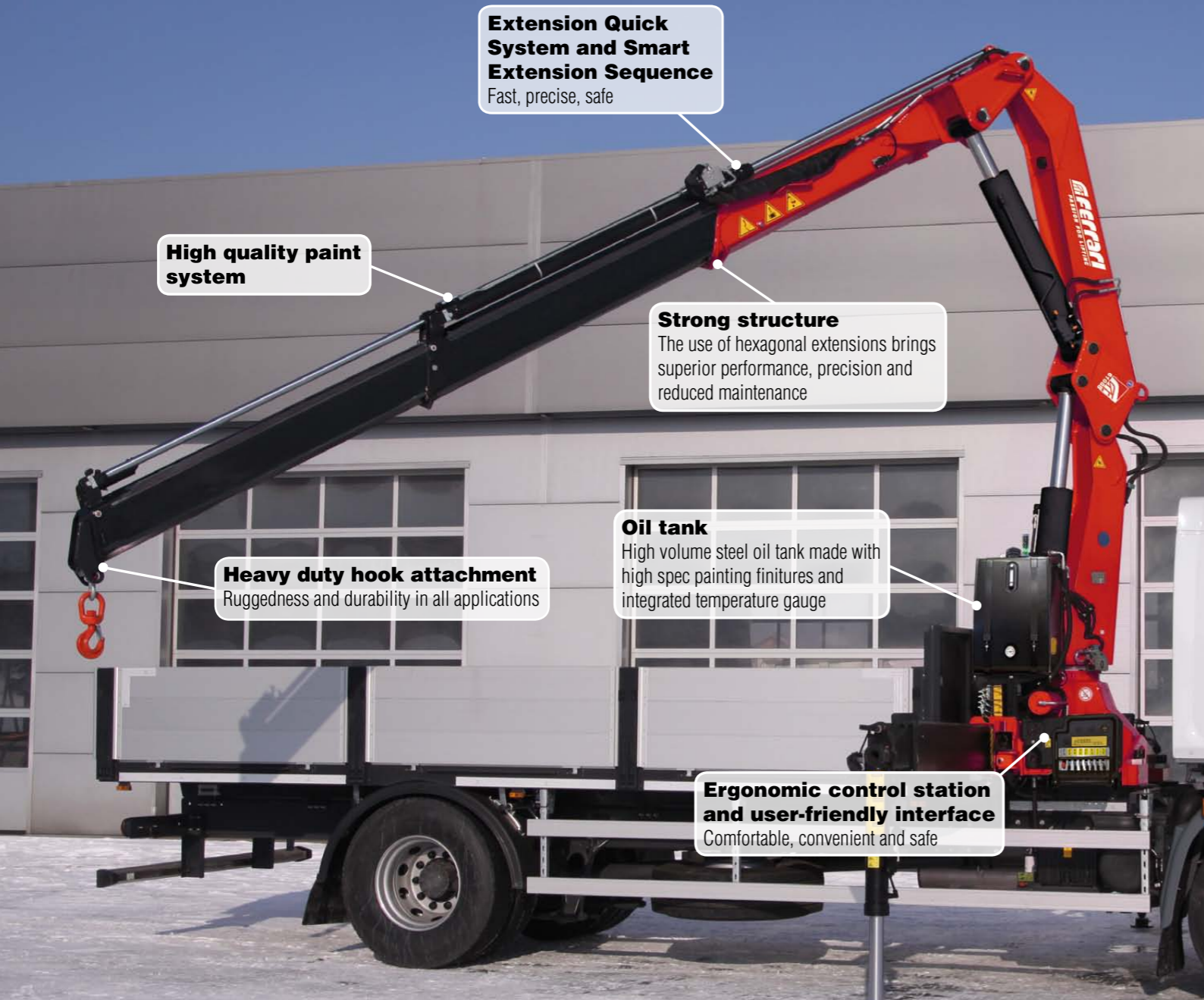
**6248B**

**FERRARI**

**PASSION FOR LIFTING**



# 6000 Series



**High quality paint system**

**Extension Quick System and Smart Extension Sequence**  
Fast, precise, safe

**Strong structure**  
The use of hexagonal extensions brings superior performance, precision and reduced maintenance

**Oil tank**  
High volume steel oil tank made with high spec painting finitures and integrated temperature gauge

**Heavy duty hook attachment**  
Ruggedness and durability in all applications

**Ergonomic control station and user-friendly interface**  
Comfortable, convenient and safe

**Reliability and top efficiency will keep you working profitably**

## Control station



Low and horizontal position of ergonomic levers for comfortable crane control. Control valve HC-D4. Improved confort while operating, intuitive use.

## Separate valve for stabilizers



Two sets of levers, one per each side of the crane. Higher comfort and productivity.

• Top efficiency

## Automatic lubrication



- Extended equipment life
- Reduced consumption of lubricant
- Reduced maintenance costs
- Reduced crane downtime
- Safer and healthier working conditions
- Environmental improvements
- Suitable for any application.

• Top efficiency  
• Top safety

## Many applications and accessories



With winch



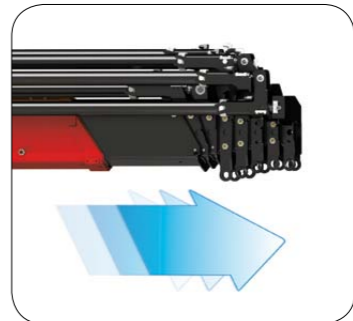
Construction

## Load Limit Device



Hydraulic load limit device equipped on both manual and radio controlled cranes. (Standard on 6148B - 6238B)

## EQS - Extension Quick System



The market is always demanding more speed, but also the highest possible safety. EQS is our answer to this, through the use of a specially designed counterbalance valve: his system increases the extension speed without affecting the crane safety. Save time, precise work, increase efficiency.

• Top efficiency  
• Top safety

## Wide range Radio selection (Optional)



Hetronic  
Scanreco



Distributor HC-D4 Electrohydraulic



Brick handling application



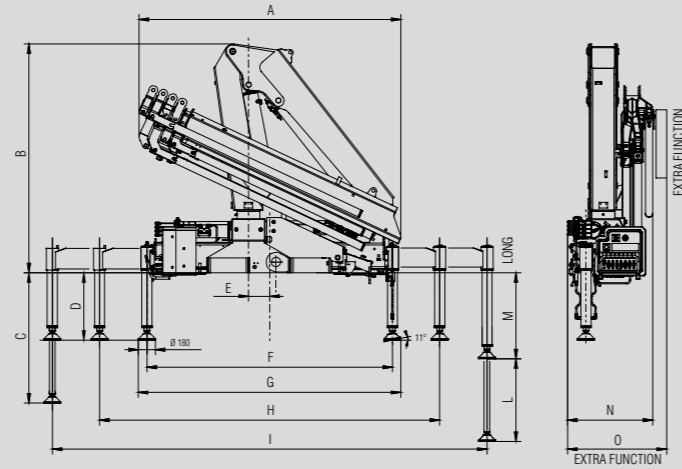
Fence posts, poles and landscaping



# 6108B Technical data

METRIC

	A1	A2	A3	A4	A5
A	2475	2475	2475	2475	2475
B	2160	2160	2160	2160	2160
C	1236	1236	1236	1236	1236
D	636	636	636	636	636
E	200	200	200	200	200
F	2320	2320	2320	2320	2320
G	2480	2480	2480	2480	2480
H	3620	3620	3620	3620	3620
I	4920	4920	4920	4920	4920
L	780	780	780	780	780
M	816	816	816	816	816
N	740	740	740	740	820
O	830	830	830	830	-



	Lifting Moment	Slewing Angle	Working pressure	Oil tank capacity	Max Oil flow	Max lifting height	Standard crane weight
	tm	°	bar	l	l/min	m	kg
A1	9,5	395	290	60	40	9,45	1230
A2	9,0	395	290	60	40	11,30	1335
A3	8,8	395	290	60	40	13,20	1430
A4	8,4	395	290	60	40	15,30	1520
A5	8,1	395	290	60	40	17,30	1590

Model	kg	m	kg	m	kg	m	kg	m	kg	m
A1	9460*	4300**	2280	1590	1,00	2,20	4,20	5,94		
A2	9020*	4100**	2180	1500	1130	810	590	435	1,00	2,20
A3	8755*	2050**	2050	1370	1020	810	590	435	1,00	2,20
A4	8450*	3840**	1930	1280	930	725	590	435	1,00	2,20
A5	8140*	3700**	1820	1190	850	645	520	435	1,00	2,20

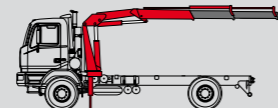
\*)Theoretical lifting capacity  
\*\*) Fixed hook capacity

## Standard

Designed in accordance with EN12999

Design class: HC1-HD4

- Cross controls
- Hexagonal section extensions
- Independent extension cylinders
- Stabilizers hose slides supports
- Control valve HC-D4
- Flanged valves
- Oil tank
- Manually extendable stabilizers
- Fixed stabilizer cylinders
- Swivel stabilizer foot
- Centralized greasing system
- EQS Extension Quick System



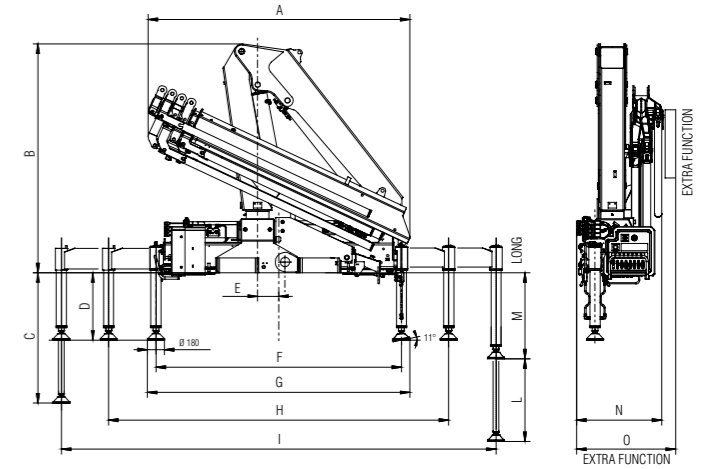
Recommended truck M.T.T. ton 10 - G.V.W. ton 10

FOR NON CE MARKETS ONLY

# 6108B Technical data

IMPERIAL

	A1	A2	A3	A4	A5
A	98	98	98	98	98
B	85	85	85	85	85
C	49	49	49	49	49
D	25	25	25	25	25
E	8	8	8	8	8
F	92	92	92	92	92
G	98	98	98	98	98
H	143	143	143	143	143
I	194	194	194	194	194
L	31	31	31	31	31
M	33	33	33	33	33
N	30	30	30	30	33
O	33	33	33	33	-



	Lifting Moment	Slewing Angle	Working pressure	Oil tank capacity	Max Oil flow	Max lifting height	Standard crane weight
	ft lb	°	psi	gal	gal/min	ft in	lb
A1	68710	395	4200	15,9	10,6	31' 0"	2710
A2	65100	395	4200	15,9	10,6	37' 1"	2940
A3	63650	395	4200	15,9	10,6	43' 4"	3150
A4	60760	395	4200	15,9	10,6	50' 2"	3350
A5	58590	395	4200	15,9	10,6	56' 9"	3510

Model	lb	ft-in	lb	ft-in	lb	ft-in	lb	ft-in	lb	ft-in
A1	20860*	9480**	5030	3510	3' 3"	7' 3"	13' 9"	19' 6"		
A2	19890*	9040**	4810	3310	2490	1790	1300	960	3' 3"	7' 3"
A3	19300*	8770**	4520	3020	2250	1790	1300	960	3' 3"	7' 3"
A4	18630*	8470**	4250	2820	2050	1600	1300	960	3' 3"	7' 3"
A5	17950*	8160**	4010	2620	1870	1420	1150	960	3' 3"	7' 3"

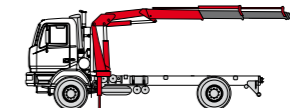
\*)Theoretical lifting capacity  
\*\*) Fixed hook capacity

## Standard

Designed in accordance with EN12999

Design class: HC1-HD4

- Cross controls
- Hexagonal section extensions
- Independent extension cylinders
- Stabilizers hose slides supports
- Control valve HC-D4
- Flanged valves
- Oil tank
- Manually extendable stabilizers
- Fixed stabilizer cylinders
- Swivel stabilizer foot
- Centralized greasing system
- EQS Extension Quick System



Recommended truck G.V.W. lb 22050

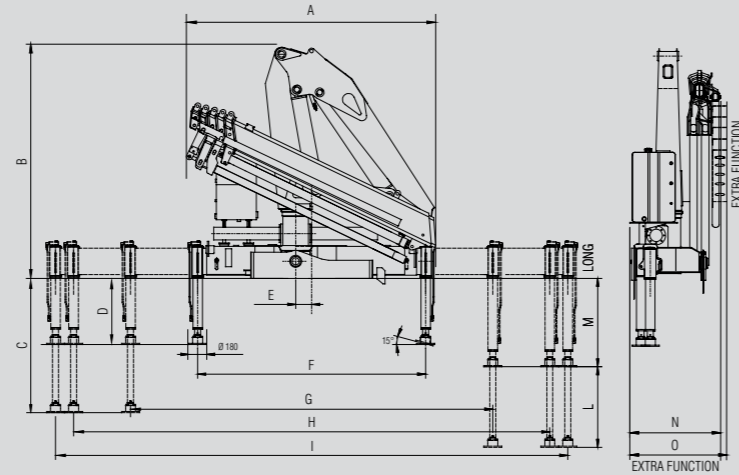
FOR NON CE MARKETS ONLY

FERRARI

# 6148B Technical data

METRIC

	A1	A2	A3	A4	A5	A3J2
A	2155	2455	2470	2485	2500	2490
B	2340	2340	2340	2340	2340	2340
C	1340	1340	1340	1340	1340	1348
D	660	660	660	660	660	660
E	160	160	160	160	160	160
F	2280	2280	2280	2280	2280	2280
G	4000	4000	4000	4000	4000	4000
H	5140	5140	5140	5140	5140	5140
I	5500	5500	5500	5500	5500	5500
L	804	804	804	804	804	804
M	883	883	883	883	883	883
N	855	855	855	855	855	855
O	1000	1000	1000	1000	-	1000



	Lifting Moment	Slewing Angle	Working pressure	Oil tank capacity	Max Oil flow	Max lifting height	Standard crane weight
	tm	°	bar	l	l/min	m	kg
A1	13,9	380	285	100	25	9,6	1680
A2	13,3	380	285	100	25	11,5	1810
A3	12,8	380	285	100	25	13,5	1930
A4	12,5	380	285	100	25	15,5	2030
A5	12,3	380	285	100	25	17,5	2120
A3J2	7,1	380	260	100	25	18,8	2240

Model	kg	m	kg	m	kg	m	kg	m	kg	m	kg	m
A1	13900*	6500°	5550**	3200	2240	1,00	2,00	2,50	4,34	6,14		
A2	13300*	6500°	5300**	3000	2100	1600	1180	880	610			
A3	12900*	6440°	5100**	2860	1980	1480	1180	880	610	380		
A4	12700*	6350°	5000**	2760	1870	1370	1065	880	610	380		
A5	12400*	6190°	4900**	2650	1780	1280	990	800	610	380		
A3J2											550	485
											12,85	14,22

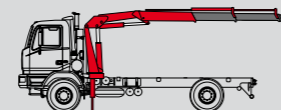
\*) Theoretical lifting capacity  
 \*\*) Fixed hook capacity  
 -) Max lifting capacity

## Standard

Designed in accordance with EN12999

Design class: HC1-HD4

- Cross controls
- Load limit device
- Hexagonal section extensions
- Independent extension cylinders
- Stabilizers hose slides supports
- Control valve HC-D4
- Independent extension cylinders
- Flanged valves
- Oil tank
- Manually extendable stabilizers
- Fixed stabilizer cylinders
- Swivel stabilizer foot
- Centralized greasing system
- EQS Extension Quick System



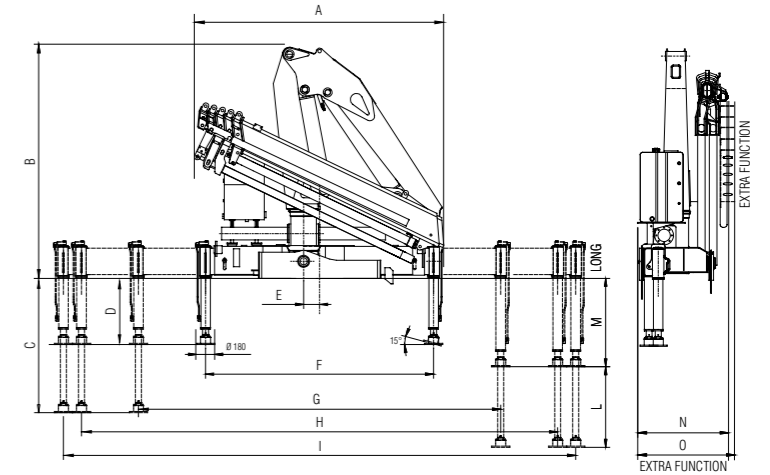
Recommended truck M.T.T. ton 12 - G.V.W. ton 12

FOR NON CE MARKETS ONLY

# 6148B Technical data

IMPERIAL

	A1	A2	A3	A4	A5	A3J2
A	85	97	98	98	99	98
B	93	93	93	93	93	93
C	53	53	53	53	53	53
D	26	26	26	26	26	26
E	7	7	7	7	7	7
F	90	90	90	90	90	90
G	158	158	158	158	158	158
H	203	203	203	203	203	203
I	217	217	217	217	217	217
L	32	32	32	32	36	32
M	35	35	35	35	35	35
N	34	34	34	34	36	34
O	40	40	40	40	-	40



	Lifting Moment	Slewing Angle	Working pressure	Oil tank capacity	Max Oil flow	Max lifting height	Standard crane weight
	lb ft	°	psi	gal	gal/min	ft in	lb
A1	100540	380	4130	26,4	6,60	31' 6"	3700
A2	95470	380	4130	26,4	6,60	37' 9"	3990
A3	92580	380	4130	26,4	6,60	44' 3"	4250
A4	90410	380	4130	26,4	6,60	50' 10"	4480
A5	88960	380	4130	26,4	6,60	57' 5"	4670
A3J2	51140	380	3770	26,4	6,60	61' 8"	4940

Model	lb	ft-in	lb	ft-in	lb	ft-in	lb	ft-in	lb	ft-in	lb	ft-in
A1	30640*	14330°	12240**	7050	4940	3' 3"	6' 7"	8' 2"	14' 3"	20' 2"		
A2	29320*	14330°	11680**	6610	4630	3530	2600	1940	1340			
A3	28440*	14200°	11240**	6310	4370	3260	2600	1940	1340	840		
A4	28000*	14000°	11020**	6080	4120	3020	2350	1940	1340	840		
A5	27340*	13650°	10800**	5840	3920	2820	2180	1760	1340	840		
A3J2											1210	1070
											42' 2"	46' 8"

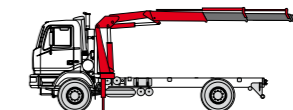
\*) Theoretical lifting capacity  
 \*\*) Fixed hook capacity  
 -) Max lifting capacity

## Standard

Designed in accordance with EN12999

Design class: HC1-HD4

- Cross controls
- Load limit device
- Hexagonal section extensions
- Independent extension cylinders
- Stabilizers hose slides supports
- Control valve HC-D4
- Independent extension cylinders
- Flanged valves
- Oil tank
- Manually extendable stabilizers
- Fixed stabilizer cylinders
- Swivel stabilizer foot
- Centralized greasing system
- EQS Extension Quick System



Recommended truck G.V.W. lb 26460

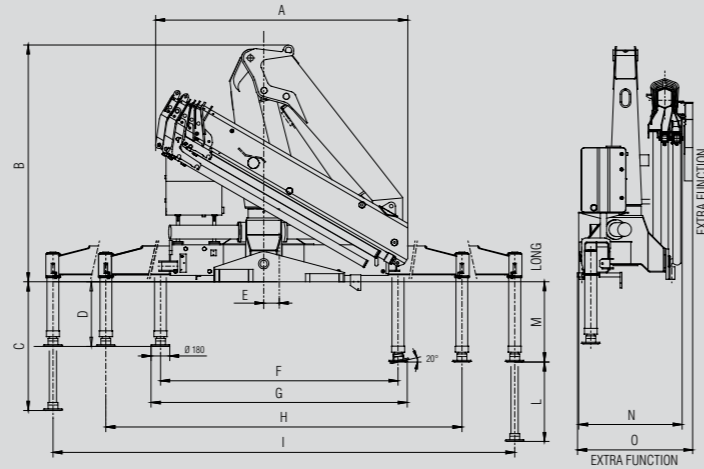
FOR NON CE MARKETS ONLY



# 6238B Technical data

METRIC

	A1	A2	A3	A4	A5	A6	A5J2
A	2165	2210	2275	2370	2440	2495	2480
B	2295	2295	2295	2295	2295	2295	2300
C	1244	1244	1244	1244	1244	1244	1244
D	624	624	624	624	624	624	624
E	150	150	150	150	150	150	150
F	2300	2300	2300	2300	2300	2300	2300
G	2480	2480	2480	2480	2480	2480	2480
H	5500	5500	5500	5500	5500	5500	5500
I	6240	6240	6240	6240	6240	6240	6240
L	770	770	770	770	770	770	770
M	783	783	783	783	783	783	783
N	970	970	1000	1000	1000	1000	1000
O	1120	1120	1120	1120	1120	1120	1120



	Lifting Moment	Slewing Angle	Working pressure	Oil tank capacity	Max Oil flow	Max lifting height	Standard crane weight
	tm	°	bar	l	l/min	m	kg
A1	19,3	387	300	130	40	9,9	2280
A2	19,0	387	300	130	40	11,8	2430
A3	18,4	387	300	130	40	13,7	2570
A4	18,0	387	300	130	40	15,7	2700
A5	17,6	387	300	130	40	17,7	2800
A6	17,2	387	300	130	40	19,8	2900
A5J2	9,2	387	300	130	40	23,3	3135

<b>A1</b>	kg	19620*	9000**	4500	3150				
	m	1,00	2,15	4,36	6,23				
<b>A2</b>	kg	19200*	8850**	4400	3050	2300			
	m	1,00	2,15	4,36	6,23	8,10			
<b>A3</b>	kg	18700*	8550**	4280	2900	2180	1725	1315	1000
	m	1,00	2,15	4,36	6,23	8,10	10,05	12,00	14,10
<b>A4</b>	kg	18250*	8380**	4180	2800	2060	1590	1315	1000
	m	1,00	2,15	4,36	6,23	8,10	10,05	12,00	14,10
<b>A5</b>	kg	17800*	8180**	4000	2640	1920	1480	1190	1000
	m	1,00	2,15	4,45	6,32	8,20	10,15	12,10	14,10
<b>A6</b>	kg	17400*	8000**	3850	2530	1820	1385	1100	910
	m	1,00	2,15	4,52	6,40	8,26	10,20	12,20	14,20
<b>A5J2</b>	kg							550	500
	m							16,80	18,20

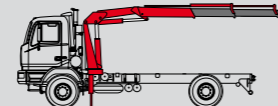
\*) Theoretical lifting capacity  
\*\*) Fixed hook capacity

## Standard

Designed in accordance with EN12999

Design class: HC1-HD4

- Cross controls
- Load limit device
- Hexagonal section extensions
- Independent extension cylinders
- Stabilizers hose slides supports
- Control valve HC-D4
- Flanged valves
- Oil tank
- Manually extendable stabilizers
- Sliding pads on telescopic extensions
- Fixed stabilizer cylinders
- Swivel stabilizer foot
- Centralized greasing system
- EQS Extension Quick System
- SDV Smooth Descent Valve



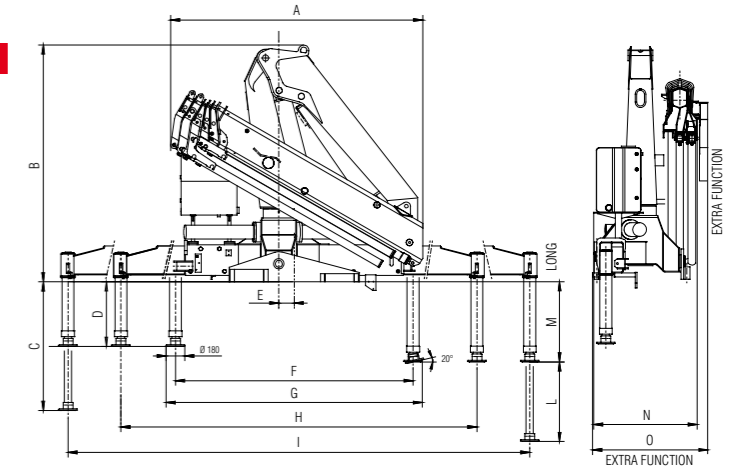
Recommended truck M.T.T. ton 19 - G.V.W. ton 19

FOR NON CE MARKETS ONLY

# 6238B Technical data

IMPERIAL

	A1	A2	A3	A4	A5	A6	A5J2
A	86	87	90	94	97	99	98
B	91	91	91	91	91	91	91
C	50	50	50	50	50	50	50
D	25	25	25	25	25	25	25
E	6	6	6	6	6	6	6
F	91	91	91	91	91	91	91
G	98	98	98	98	98	98	98
H	217	217	217	217	217	217	217
I	246	246	246	246	246	246	246
L	31	31	31	31	31	31	31
M	31	31	31	31	31	31	31
N	39	39	40	40	40	40	40
O	45	45	45	45	45	45	45



	Lifting Moment	Slewing Angle	Working pressure	Oil tank capacity	Max Oil flow	Max lifting height	Standard crane weight
	lb ft	°	psi	gal	gal/min	ft in	lb
A1	139600	387	4350	34,3	10,6	32' 6"	5030
A2	137430	387	4350	34,3	10,6	38' 9"	5360
A3	133090	387	4350	34,3	10,6	44' 11"	5670
A4	130190	387	4350	34,3	10,6	51' 6"	5950
A5	127300	387	4350	34,3	10,6	58' 1"	6170
A6	124410	387	4350	34,3	10,6	65' 0"	6390
A5J2	66540	387	4350	34,3	10,6	76' 5"	6910

<b>A1</b>	lb	43250*	19840**	9920	6940				
	ft-in	3' 3"	7' 1"	14' 4"	20' 5"				
<b>A2</b>	lb	42330*	19510**	9700	6720	5070			
	ft-in	3' 3"	7' 1"	14' 4"	20' 5"	26' 7"			
<b>A3</b>	lb	41230*	18850**	9440	6390	4810	3800	2900	2200
	ft-in	3' 3"	7' 1"	14' 4"	20' 5"	26' 7"	33' 0"	39' 4"	46' 3"
<b>A4</b>	lb	40230*	18470**	9220	6170	4540	3510	2900	2200
	ft-in	3' 3"	7' 1"	14' 4"	20' 5"	26' 7"	33' 0"	39' 4"	46' 3"
<b>A5</b>	lb	38360*	18030**	8820	5820	4230	3260	2620	2200
	ft-in	3' 3"	7' 1"	14' 7"	20' 9"	26' 11"	33' 4"	39' 8"	46' 3"
<b>A6</b>	lb	38360*	17640**	8490	5580	4010	3050	2430	2010
	ft-in	3' 3"	7' 1"	14' 10"	21' 0"	27' 1"	33' 6"	40' 0"	46' 7"
<b>A5J2</b>	lb								1210
	ft-in								55' 1"

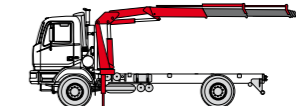
\*) Theoretical lifting capacity  
\*\*) Fixed hook capacity

## Standard

Designed in accordance with EN12999

Design class: HC1-HD4

- Cross controls
- Load limit device
- Hexagonal section extensions
- Independent extension cylinders
- Stabilizers hose slides supports
- Control valve HC-D4
- Flanged valves
- Oil tank
- Manually extendable stabilizers
- Sliding pads on telescopic extensions
- Fixed stabilizer cylinders
- Swivel stabilizer foot
- Centralized greasing system
- EQS Extension Quick System
- SDV Smooth Descent Valve



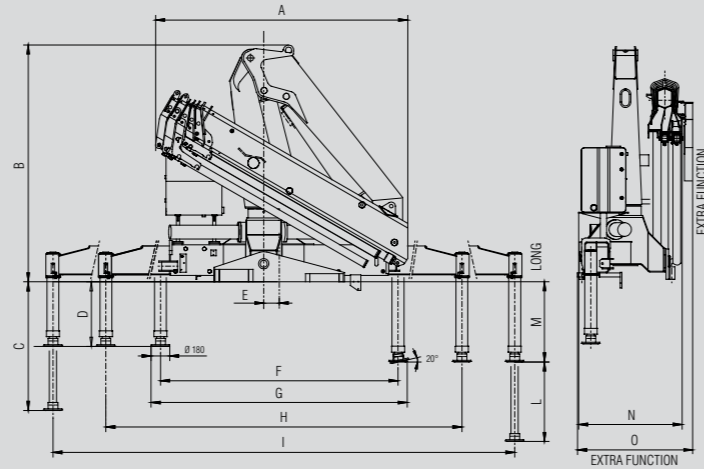
Recommended truck G.V.W. lb 41895

FOR NON CE MARKETS ONLY

# 6248B Technical data

METRIC

	A1	A2	A3	A4	A5	A6	A5J2
A	2165	2210	2275	2370	2440	2495	2480
B	2295	2295	2295	2295	2295	2295	2300
C	1244	1244	1244	1244	1244	1244	1244
D	624	624	624	624	624	624	624
E	150	150	150	150	150	150	150
F	2300	2300	2300	2300	2300	2300	2300
G	2480	2480	2480	2480	2480	2480	2480
H	5500	5500	5500	5500	5500	5500	5500
I	6240	6240	6240	6240	6240	6240	6240
L	770	770	770	770	770	770	770
M	783	783	783	783	783	783	783
N	970	970	1000	1000	1000	1000	1000
O	1120	1120	1120	1120	1120	1120	1120



	Lifting Moment	Slewing Angle	Working pressure	Oil tank capacity	Max Oil flow	Max lifting height	Standard crane weight
	tm	°	bar	l	l/min	m	kg
A1	20,7	387	315	130	40	9,9	2280
A2	19,9	387	315	130	40	11,8	2430
A3	19,2	387	315	130	40	13,7	2570
A4	18,8	387	315	130	40	15,7	2700
A5	18,3	387	315	130	40	17,7	2800
A6	17,9	387	315	130	40	19,8	2900
A5J2	10,1	387	315	130	40	23,3	3135

<b>A1</b>	kg	19620*	9400**	4660	3320				
	m	1,00	2,15	4,36	6,23				
<b>A2</b>	kg	19200*	9200**	4560	3210	2460			
	m	1,00	2,15	4,36	6,23	8,10			
<b>A3</b>	kg	18700*	8930**	4430	3050	2330	1890	1460	1140
	m	1,00	2,15	4,36	6,23	8,10	10,05	12,00	14,10
<b>A4</b>	kg	18250*	8730**	4330	2950	2200	1740	1460	1140
	m	1,00	2,15	4,36	6,23	8,10	10,05	12,00	14,10
<b>A5</b>	kg	17400*	8520**	4140	2780	2050	1620	1320	1140
	m	1,00	2,15	4,45	6,32	8,20	10,15	12,10	14,10
<b>A6</b>	kg	17400*	8330**	3990	2660	1950	1520	1220	1040
	m	1,00	2,15	4,52	6,40	8,26	10,20	12,20	14,20
<b>A5J2</b>	kg				605	550	505	400	
	m				16,80	18,20	19,70	21,20	

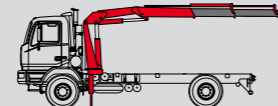
\*) Theoretical lifting capacity  
\*\*) Fixed hook capacity

## Standard

Designed in accordance with EN12999

Design class: HC1-HD4

- Cross controls
- Load limit device
- Hexagonal section extensions
- Independent extension cylinders
- Stabilizers hose slides supports
- Control valve HC-D4
- Flanged valves
- Oil tank
- Manually extendable stabilizers
- Sliding pads on telescopic extensions
- Fixed stabilizer cylinders
- Swivel stabilizer foot
- Centralized greasing system
- EQS Extension Quick System
- SDV Smooth Descent Valve
- Power Boost



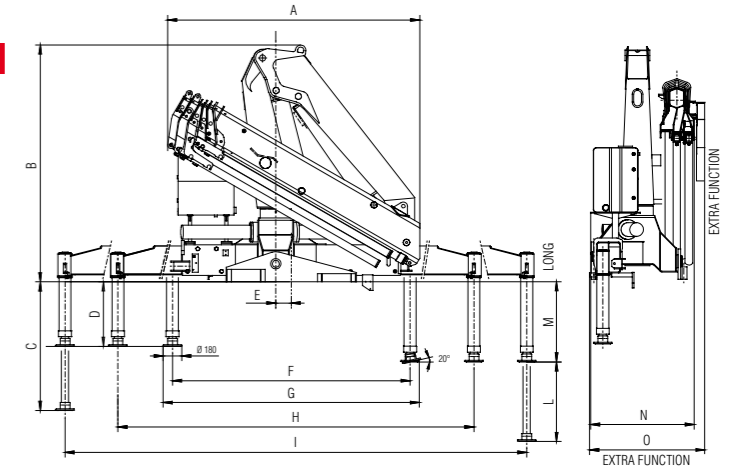
Recommended truck M.T.T. ton 19 - G.V.W. ton 19

FOR NON CE MARKETS ONLY

# 6248B Technical data

IMPERIAL

	A1	A2	A3	A4	A5	A6	A5J2
A	86	87	90	94	97	99	98
B	91	91	91	91	91	91	91
C	50	50	50	50	50	50	50
D	25	25	25	25	25	25	25
E	6	6	6	6	6	6	6
F	91	91	91	91	91	91	91
G	98	98	98	98	98	98	98
H	217	217	217	217	217	217	217
I	246	246	246	246	246	246	246
L	31	31	31	31	31	31	31
M	31	31	31	31	31	31	31
N	39	39	40	40	40	40	40
O	45	45	45	45	45	45	45



	Lifting Moment	Slewing Angle	Working pressure	Oil tank capacity	Max Oil flow	Max lifting height	Standard crane weight
	lb ft	°	psi	gal	gal/min	ft in	lb
A1	149700	387	4570	34,34	10,57	32' 6"	5025
A2	143900	387	4570	34,34	10,57	38' 9"	5355
A3	138900	387	4570	34,34	10,57	44' 11"	5665
A4	136000	387	4570	34,34	10,57	51' 6"	5950
A5	132400	387	4570	34,34	10,57	58' 1"	6175
A6	129500	387	4570	34,34	10,57	65' 0"	6395
A5J2	73100	387	4570	34,34	10,57	76' 5"	6910

<b>A1</b>	lb	43250*	20720**	10270	7320				
	ft-in	3' 3"	7' 1"	14' 4"	20' 5"				
<b>A2</b>	lb	42330*	20280**	10050	7080	5420			
	ft-in	3' 3"	7' 1"	14' 4"	20' 5"	26' 7"			
<b>A3</b>	lb	41230*	19690**	9770	6720	5140	4170	3220	2510
	ft-in	3' 3"	7' 1"	14' 4"	20' 5"	26' 7"	33' 0"	39' 4"	46' 3"
<b>A4</b>	lb	40230*	19250**	9550	6500	4850	3840	3220	2510
	ft-in	3' 3"	7' 1"	14' 4"	20' 5"	26' 7"	33' 0"	39' 4"	46' 3"
<b>A5</b>	lb	38360*	18780**	9130	6130	4520	3570	2910	2510
	ft-in	3' 3"	7' 1"	14' 7"	20' 9"	26' 11"	33' 4"	39' 8"	46' 3"
<b>A6</b>	lb	38360*	18360**	8800	5860	4300	3350	2690	2290
	ft-in	3' 3"	7' 1"	14' 10"	21' 0"	27' 1"	33' 6"	40' 0"	46' 7"
<b>A5J2</b>	lb				1330	1210	1110	880	
	ft-in				55' 1"	59' 9"	64' 8"	69' 7"	

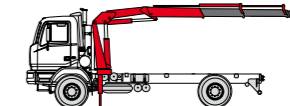
\*) Theoretical lifting capacity  
\*\*) Fixed hook capacity

## Standard

Designed in accordance with EN12999

Design class: HC1-HD4

- Cross controls
- Load limit device
- Hexagonal section extensions
- Independent extension cylinders
- Stabilizers hose slides supports
- Control valve HC-D4
- Flanged valves
- Oil tank
- Manually extendable stabilizers
- Sliding pads on telescopic extensions
- Fixed stabilizer cylinders
- Swivel stabilizer foot
- Centralized greasing system
- EQS Extension Quick System
- SDV Smooth Descent Valve
- Power Boost



Recommended truck G.V.W. lb 41895

FOR NON CE MARKETS ONLY



# 6000 Series



ISO 9001 · ISO 14001

Quality and environmental certified



## F.lli FERRARI

Via Einstein, 8  
42028 Poviglio (RE) Italy  
Tel. +39 0522/486308  
Fax +39 0522/486330  
info@flliferrari.it  
marketing@flliferrari.it  
www.flliferrari.com

Dealer

Data, descriptions, and illustrations pertain only and uniquely to models sold at the time of printing of this brochure. After the date of printing this information is purely indicative and not binding upon F.lli Ferrari. Future modifications are solely at the discretion of F.lli Ferrari and are always in compliance with applicable and pertinent safety standards. To obtain updated data, descriptions, and illustrations, contact the manufacturer or your reseller. Cranes manufactured and/or marketed by F.lli Ferrari.