

D Series
NEW AGE



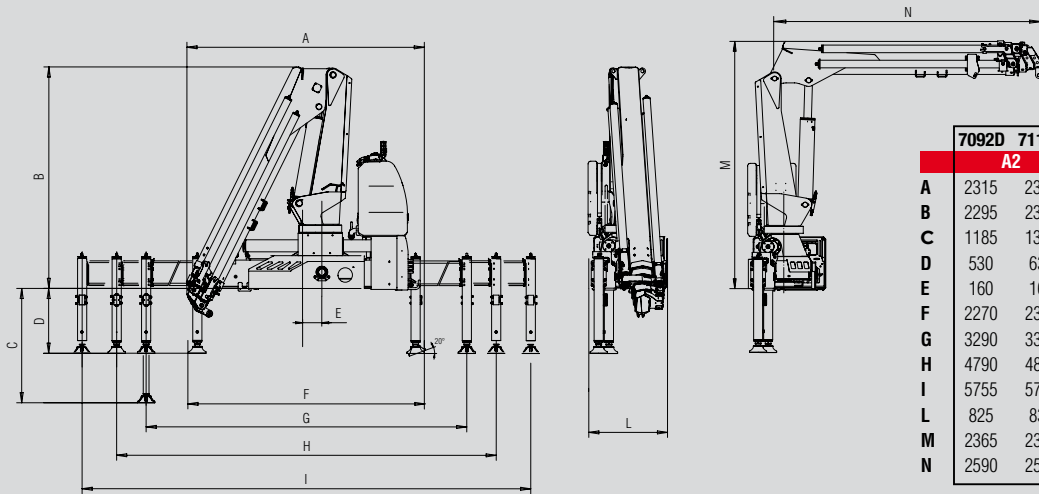
7092D

7112D

Ferrari

A HYVA GROUP COMPANY

7092D - 7112D Technical data



	7092D	7112D	7092D	7112D	7092D	7112D
	A2		A3		A4	
A	2315	2304	2315	2304	2315	2304
B	2295	2320	2295	2320	2295	2320
C	1185	1327	1185	1327	1185	1327
D	530	635	530	635	530	635
E	160	160	160	160	160	160
F	2270	2303	2270	2303	2270	2303
G	3290	3300	3290	3300	3290	3300
H	4790	4805	4790	4805	4790	4805
I	5755	5765	5755	5765	5755	5765
L	825	837	825	837	825	837
M	2365	2390	2365	2390	2365	2390
N	2590	2525	2660	2595	2750	2675

7092D

A2	kg	2175	1455
	m	2,11	5,93

A3	kg	2060	1385	995
	m	2,19	6,00	7,95

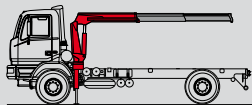
A4	kg	1960	1300	950	735
	m	2,26	6,08	8,03	9,98

7112D

A2	kg	2547	1719
	m	2,11	5,93

A3	kg	2426	1616	1211
	m	2,19	6,00	7,95

A4	kg	2330	1534	1132	905
	m	2,26	6,08	8,03	9,98



Recommended truck:
7092D - M.T.T. ton 10 - G.V.W. ton 10
7112D - M.T.T. ton 10 - G.V.W. ton 10

	Lifting Moment	Slewing Angle	Working pressure	Oil tank capacity	Max Oil flow	Max lifting height	Standard crane weight
	tm	°	bar	l	l/m	m	kg
7092D							
A2	8,7	425	310	75	40	9,2	1055
A3	8,7	425	310	75	40	11,1	1150
A4	8,5	425	310	75	40	13,1	1225
7112D							
A2	10,2	425	300	75	40	9,2	1255
A3	10,1	425	300	75	40	11,2	1360
A4	10,1	425	300	75	40	13,1	1445

Standard

- Designed in accordance with EN12999
- Design class: HC1-S2
- Cross controls
- Load limit device
- Flanged valves
- Oil tank
- Manually extendable stabilizers
- Fixed stabilizer cylinders
- Swivel stabilizer foot
- Centralized greasing system
- SDS Smooth Descent System
- F3XL Crane control system (CE)



Filii FERRARI CORPORATION S.p.A.

Via Einstein, 8
 42028 Poviglio (RE) Italy
 Tel. +39 0522/486308
 Fax +39 0522/486330
 info@fliferrari.it
 marketing@fliferrari.it
 www.fliferrari.com

Dealer

Data, descriptions, and illustrations pertain only and uniquely to models sold at the time of printing of this brochure. After the date of printing, this information is purely indicative and not binding upon Filii Ferrari. Future modifications are solely at the discretion of Filii Ferrari and are always in compliance with applicable and pertinent safety standards. To obtain updated data, descriptions, and illustrations, contact the manufacturer or your reseller. Cranes manufactured and/or marketed by Filii Ferrari.