

B Series

NEW AGE



7130B

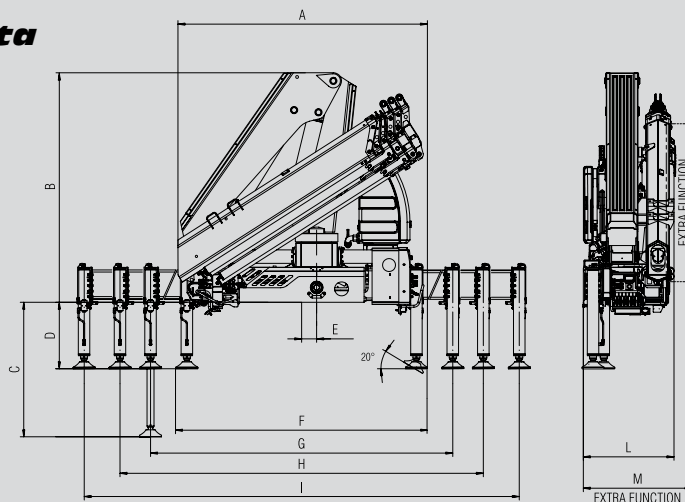
7160B

Ferrari

PASSION FOR LIFTING

7130B - 7160B Technical data

	Lift Moment	Swewing Angle	Working pressure	Oil tank capacity	Max Oil flow	Max lifting height	Standard crane weight
	tm	°	bar	l	l/m	m	kg
7130B							
A1	12,4	425	285	130	60	10	1545
A2	11,8	425	285	130	60	11,7	1665
A3	12,0	425	285	130	60	13,7	1780
A4	11,1	425	285	130	60	15,7	1870
A5	10,7	425	285	130	60	17,8	1955
7160B							
A1	15,8	425	280	130	60	10	1775
A2	15	425	280	130	60	11,7	1910
A3	14,5	425	280	130	60	13,7	2025
A4	14,2	425	280	130	60	15,7	2130
A5	13,7	425	280	130	60	17,8	2220



A1	kg	2770	1955					7130B
	m	4,49	6,29					
	kg	3525	2490					7160B
	m	4,49	6,34					
A2	kg	2635	1820	1400	1015	755	560	7130B
	m	4,49	6,29	8,09	10,31	12,29	14,34	
	kg	3345	2320	1785	1310	980	740	7160B
	m	4,49	6,29	8,09	10,31	12,29	14,34	
A3	kg	2500	1700	1285	1020	755	560	7130B
	m	4,57	6,37	8,17	10,15	12,29	14,34	16,44
	kg	3180	2185	1655	1310	980	740	7160B
	m	4,57	6,37	8,17	10,15	12,29	14,34	16,44
A4	kg	2380	1595	1180	910	755	560	7130B
	m	4,66	6,46	8,26	10,24	12,22	14,34	16,44
	kg	3035	2055	1525	1190	980	740	7160B
	m	4,66	6,46	8,26	10,24	12,22	14,34	16,44
A5	kg	2265	1500	1090	825	665	560	7130B
	m	4,73	6,53	8,33	10,31	12,29	14,34	16,44
	kg	2905	1935	1415	1085	875	740	7160B
	m	4,73	6,53	8,33	10,31	12,29	14,34	16,44

	A1	A2	A3	A4	A5
A	2480	2480	2480	2480	2480
B	2295	2295	2295	2295	2295
C	1362	1362	1362	1362	1362
D	670	670	670	670	670
E	160	160	160	160	160
F	2445	2445	2445	2445	2445
G	4200	4200	4200	4200	4200
H	5400	5400	5400	5400	5400
I	6600	6600	6600	6600	6600
L	820	820	820	820	905
M	925	925	925	925	967

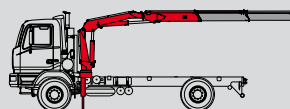
Standard

- Designed in accordance with EN12999:2020 + EN13849
- Design class: HC1-HD4
- Cross controls
- Load limit device
- Flanged valves
- Oil tank
- Manually extendable stabilizers
- Internal stabilizers pipes
- Fixed stabilizer cylinders
- Swivel stabilizer foot
- Centralized greasing system
- EES Extra Extension Speed
- SDS Smooth Descent System
- A Class - Crane Control System (CE)
- LED panel - Human Machine Interface (CE)



F.lli FERRARI

Via Einstein, 8
42028 Poggio (RE) Italy
Tel. +39 0522/486308
Fax +39 0522/486330
info@flliferrari.it
marketing@flliferrari.it
www.flliferrari.com



Recommended truck:
B130 - M.T.T. ton 12 - G.V.W. ton 12
B160 - M.T.T. ton 15 - G.V.W. ton 15

Dealer

Data, descriptions, and illustrations pertain only and uniquely to models sold at the time of printing of this brochure. After the date of printing, this information is purely indicative and not binding upon F.lli Ferrari. Future modifications are solely at the discretion of F.lli Ferrari and are always in compliance with applicable and pertinent safety standards. To obtain updated data, descriptions, and illustrations, contact the manufacturer or your reseller. Cranes manufactured and/or marketed by F.lli Ferrari.