

749R
Double linkage



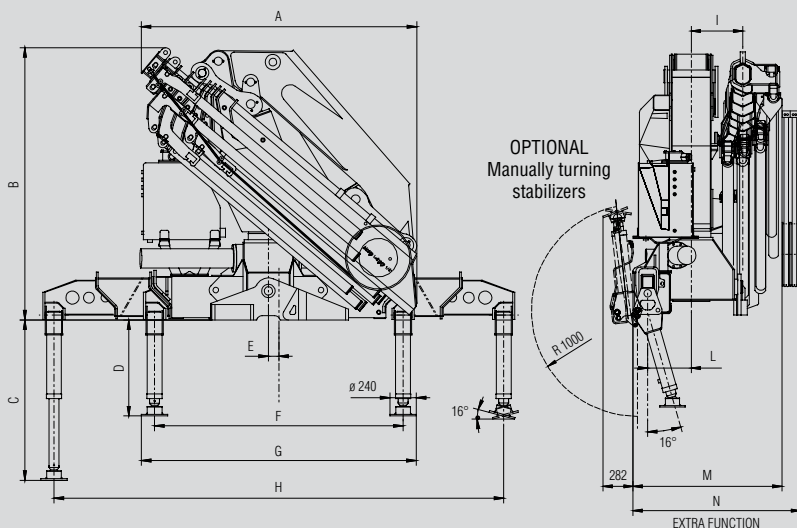
RADIOCONTROL

749R

FERRARI

PASSION FOR LIFTING

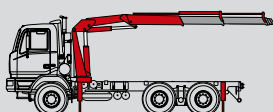
749R Technical data



	A2	A3	A4	A5	A6	A7	A8	A6J4
A	2128	2210	2315	2372	2455	2464	2509	2515
B	2460	2460	2460	2460	2460	2460	2480	2725
C	1462	1462	1462	1462	1462	1462	1462	1462
D	875	875	875	875	875	875	875	875
E	95	95	95	95	95	95	95	95
F	2263	2263	2263	2263	2263	2263	2263	2263
G	2503	2503	2503	2503	2503	2503	2503	2503
H	5050	5050	5050	5050	5050	5050	5050	5050
H (EXT)	7400	7400	7400	7400	7400	7400	7400	7400
I	485	485	485	485	485	485	485	485
L	410	410	410	410	410	410	410	410
M	1275	1275	1275	1285	1285	1400	1400	1470
N	1470	-	1470	-	1470	-	-	-

Model	kg	m	kg	m	kg	m	kg	m	kg	m	kg	m	kg	m	kg	m	kg	m	kg	m		
A2	22370*	2,00	10450	4,22	7420	6,00	5700	7,85														
A3	21680*	2,00	9880	4,33	7100	6,10	5420	8,00	4370	9,90	3430	11,90	2720	14,00	2180	16,10						
A4	21180*	2,00	9520	4,45	6800	6,20	5150	8,05	4105	10,00	3430	11,90	2720	14,00	2180	16,10	1740	18,30				
A5	20740*	2,00	9320	4,45	6570	6,20	4920	8,05	3870	10,00	3180	11,90	2720	14,00	2180	16,10	1740	18,30	1380	20,50		
A6	20430*	2,00	9080	4,50	6340	6,25	4700	8,10	3660	10,00	2990	12,00	2505	14,00	2180	16,10	1740	18,30	1380	20,50	1060	
A7	20150*	2,00	8900	4,50	6120	6,30	4500	8,20	3450	10,20	2780	12,20	2300	14,40	1980	16,60	1740	18,75	1380	20,50	1060	
A8	19800*	2,00	8560	4,60	5890	6,30	4300	8,20	3270	10,10	2580	12,10	2105	14,10	1790	16,20	1550	18,30	1380	20,50	1060	
A6J4																						

*) Theoretical lifting capacity



Recommended truck:
G.V.W. ton 24

	Lifting Moment	Slewing Angle	Working pressure	Oil tank capacity	Max Oil flow	Max lifting height	Standard crane weight
	tm	°	bar	l	l/min	m	kg
A2	44,7	400	320	210	80	12,00	4580
A3	-	400	320	210	80	14,10	4830
A4	-	400	320	210	80	16,10	5110
A5	-	400	320	210	80	18,20	5350
A6	-	400	320	210	80	20,30	5550
A7	-	400	320	210	80	22,50	5740
A8	-	400	320	210	80	24,70	5920
A6J4	-	400	320	210	80	30,10	6420

Standard

- Designed in accordance with EN12999+EN13849
- Design class: HC1-HD4
- Load limiting device
- Multifunctional radio remote control
- Sauer Danfoss PVG32
- Flanged valves
- Oil tank
- Radio remote controlled stabilizers
- Fixed stabilizer cylinders
- Swivel stabilizer foot
- Centralized greasing system
- EQS Extension Quick System
- SDV Smooth Descent Valve
- Red Power
- P Class - Crane Control System (CE)
- Smart Top monitor 7"- Human Machine Interface (CE)



Fili FERRARI
Via Einstein, 8
42028 Poggio (RE) Italy
Tel. +39 0522/486308
Fax +39 0522/486330
info@flliferrari.it
marketing@flliferrari.it
www.flliferrari.com



Quality and environmental
certified

Dealer

Data, descriptions, and illustrations pertain only and uniquely to models sold at the time of printing of this brochure. After the date of printing, this information is purely indicative and not binding upon Fili Ferrari. Future modifications are solely at the discretion of Fili Ferrari and are always in compliance with applicable and pertinent safety standards. To obtain updated data, descriptions, and illustrations, contact the manufacturer or your reseller. Cranes manufactured and/or marketed by Fili Ferrari.