

9661C
NEW AGE



RADIOCONTROL

9661C

FERRARI

PASSION FOR LIFTING

9661C



Extension Quick System and Smart Extension Sequence
Fast, precise, safe

Heavy duty hook attachment
Ruggedness and durability in all applications

Link on second boom
Boom negative angle allows access to confined spaces

Link on column
Constant lifting capacity on all main boom positions

Break the boundaries in performance and safety

Endless slewing
Efficient use in all the vehicle positions

Ergonomic control station and user-friendly interface
Comfortable, convenient and safe

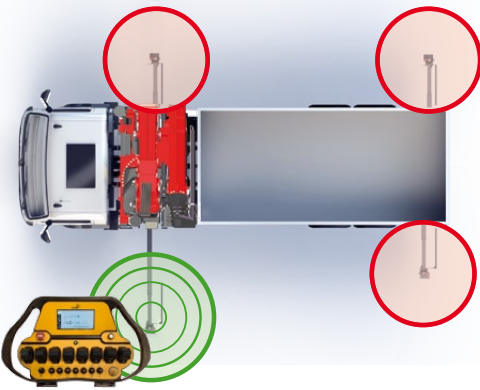
Always stable
More than 40 stabilizer combinations available



Breaking through innovations

PATENTED

Operator Auto Detection

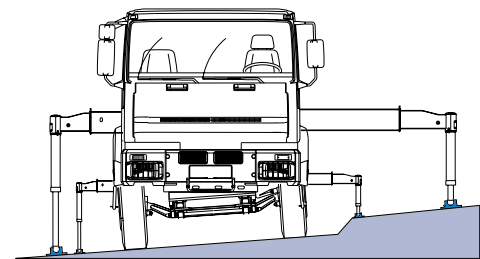


Detection and automatic activation of the operator's closest stabilizer.

The PDM (Proximity Detection Module) installed on each stabilizer allows to automatically activate the operator's closest stabilizer, avoiding potential human error.

- Enhanced Safety
- Time Saving
- Huddle Free

Auto Levelling System



Keep truck horizontal for best crane's performance.

This system automatically keeps the truck frame in horizontal position, enabling the crane to perform always at its best.

- Increased efficiency
- Enhanced safety
- More reliability

Dynamic Load Diagram



Crane lifting capacity always under control in all stabilizer positions.

After the truck has been stabilized, the operator selects the load weight to be lifted. The display shows the permitted crane outreach based on the truck stability and load selected.

- Improved efficiency
- Easy to use
- Optimised safety

Magic Touch

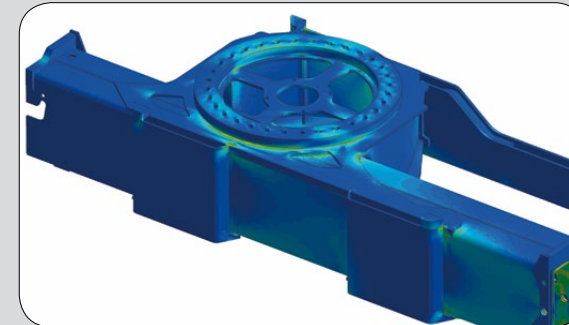


Crane Automatic folding/unfolding.

This system allows the operator to unfold the crane to a working position and fold the crane from any position to transport position by pressing a single button on the radio transmitter or display.

- Easy to start and close
- Time saving
- Increased productivity and safety

High-tech development



- Structures optimised for strength, weight and speed

Top Protection

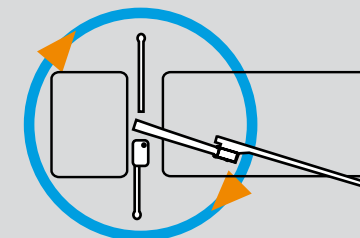


- High value retention
- Top reliability

Endless performance

Continuous rotation and extreme flexibility

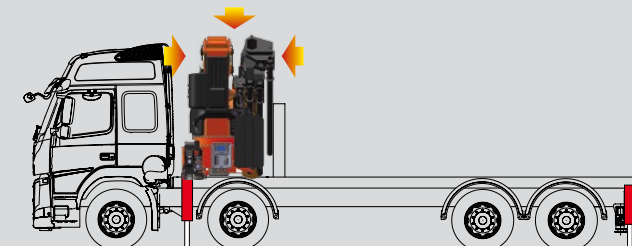
Endless slewing allows the crane to be operated without restrictions. The complete access to the working area, eliminates the need to reposition the truck, optimizing precision, productivity and safety.



- Top efficiency
- Easy to use

Compact and light architecture

Uniquely designed to reduce the space occupancy behind the cabin made for increasing payload and truck floor area.

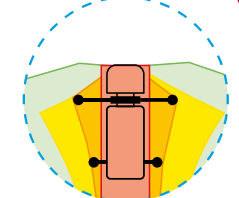
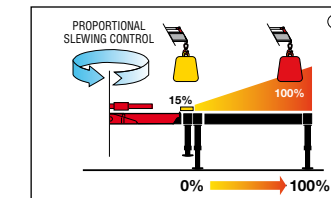


9661C crane is the strongest in its range 63.2 tm



Crane control system (C€)

P - Class



- Proportional stabilizers control
- Proportional slewing control
- Truck side independent

- Stabilizer's cylinders not on the ground
- 0% stabilizer's beams and stabilizer's cylinders on the ground
- 50% stabilizer's beams and stabilizer's cylinders on the ground
- 100% stabilizer's beams and stabilizer's cylinders on the ground
- Nominal pressure

⊕ The percentages present in the pictures are merely examples and they have no bearing on the cranes' real lifting capacities. The cranes' real lifting capacity will depend on truck's stability.

Human machine interface

Smart Top monitor 7"



Up to 16 languages available into the software. Top choice available for the range. Data statistics and crane management, all included into a 7" TFT monitor giving to the operator a higher level of awareness of the crane.

Crane controls

LCD Remote control



Each transmitter is equipped with 8 ergonomic proportional levers (6 for Scanreco mini) to control up to 8 functions of the crane. Using two hands, the operator can move 2-3-4 functions at once. This ensure more speed in loading or unloading operations with high precision.

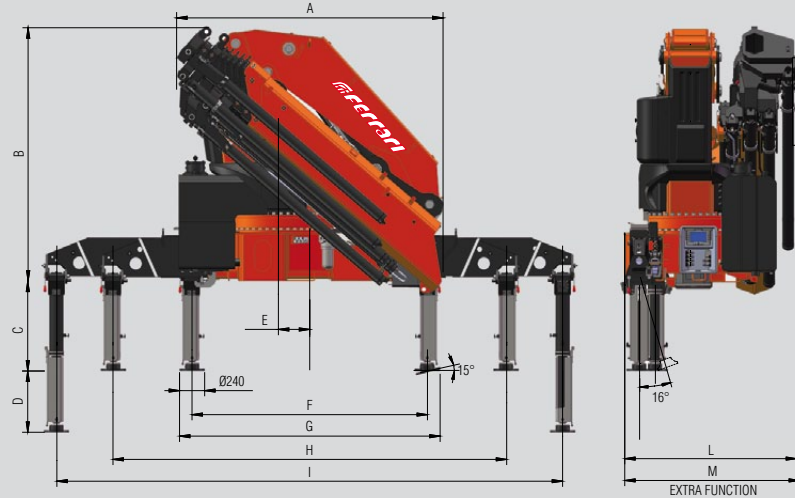
Graphic remote control



Top visualization on 3" graphic display on the remote transmitter. Improved crane data visualization and crane control. Top level class of offer in the range.

9661C Technical data

	Lifting Moment	Slewing Angle	Working pressure	Oil tank capacity	Max Oil flow	Max lifting height	Standard crane weight
	tm	°	bar	l	l/min	m	kg
A2	63,2	endless	365	250	100	11,9	5375
A4	-	endless	365	250	100	15,9	5940
A6	-	endless	365	250	100	20,3	6465
A8	-	endless	365	300	100	24,7	6875
A6J2002	-	endless	-	250/300	100	26,6	7570
A6J2004	-	endless	-	250/300	100	30,1	7785
A6J2006	-	endless	-	250/300	100	33,8	7955
A6J1206	-	endless	-	250/300	100	33,8	7655



	A2	A4	A6	A8	A6J2002	A6J2004	A6J2006	A6J1206
A	2530	2530	2530	2550	2550	2550	2550	2550
B	2430	2430	2430	2430	2740	2740	2740	2780
C	860	860	860	860	860	860	860	860
D	586	586	586	586	586	586	586	586
E	300	300	300	300	300	300	300	300
F	2255	2255	2255	2255	2255	2255	2255	2255
G	2495	2495	2495	2495	2495	2495	2495	2495
H	6660	6660	6660	6660	6660	6660	6660	6660
I	8670	8670	8670	8670	8670	8670	8670	8670
L	1480	1480	1480	1635	1665	1665	1665	1665
M	1585	1585	1585	1690	-	-	-	-

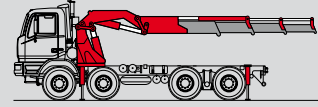
A2	kg	63240	14435	10250	7955				
	m	1,00*	4,30	6,10	7,95				
A4	kg	62200	13650	9615	7370	5885	4920	3625	3135
	m	1,00*	4,41	6,21	8,01	9,95	11,91	14,03	16,13
A6	kg	57570	12995	8980	6760	5290	4330	3625	3135
	m	1,00*	4,43	6,23	8,05	10,00	11,93	14,03	16,13
A8	kg	56270	12180	8390	6265	4830	3895	3205	2720
	m	1,00*	4,62	6,42	8,25	10,20	12,15	14,25	16,35
A6 J2002	kg					1520	1380	1270	860
	m					19,45	21,05	22,65	24,35
A6 J2004	kg					1330	1180	1080	990
	m					19,55	21,15	22,75	24,35
A6 J2006	kg					1200	1070	960	860
	m					19,60	21,25	22,85	24,45
A6 J1206	kg					1490	1320	1200	1100
	m					19,60	21,25	22,85	24,45

*) theoretical lifting capacity

Standard



- Designed in accordance with EN12999+EN13849
- Design class: HC1-HD5
- Multifunction radio remote control
- Sauer Danfoss PVG32
- Flanged valves
- One site auxiliary manual controls (on column)
- P-LCS Proportional Lift Control System
- EQS Extension Quick System
- SDV Smooth Descent Valve
- Red Power
- 7" color display
- High pressure oil filter
- Load sensing pump predisposition
- Stabilizers control valve
- Hydraulically extendable stabilizers
- Fixed stabilizer cylinders
- Swivel stabilizer foot
- Stability Control System (CE)
- Visual warning device for closed stabilizers (CE)
- P Class - Crane Control System (CE)
- Smart Top monitor 7" - Human Machine Interface (CE)



Recommended truck M.T.T. ton 42 - G.V.W. ton 42

Transport & logistics



One model for all applications

Building construction



9661C

NEW AGE



ISO 9001 · ISO 14001

Quality and environmental certified



F.lli FERRARI

Via Einstein, 8
42028 Poviglio (RE) Italy
Tel. +39 0522/486308
Fax +39 0522/486330
info@flliferrari.it
marketing@flliferrari.it
www.flliferrari.com

Dealer

Data, descriptions, and illustrations pertain only and uniquely to models sold at the time of printing of this brochure. After the date of printing this information is purely indicative and not binding upon F.lli Ferrari. Future modifications are solely at the discretion of F.lli Ferrari and are always in compliance with applicable and pertinent safety standards. To obtain updated data, descriptions, and illustrations, contact the manufacturer or your reseller. Cranes manufactured and/or marketed by F.lli Ferrari.